

FOLINV 12 / 3



Theorie of Operation:

The driving voltage for the el-lamps is generated with a so called hartley-oscillator. It is formed by the output inductance of the transformer and the capacity of the el-lamp, this determines the oscillating frequency of this device.

When running small size el-lamps the increase of the output voltage is prevented by the limitation at about 115V automatically. This makes operation of el-lamps from size of DIN A5 up to DIN A3 possible with nearly constant voltage amplitude.

In case of idle operation the output voltage is shut down to minimum. .

Technical Data :

typically at operation with a el-lamp DIN A3:

Input Voltage:	12V (10 ... 15V)
Current Consumption:	750...850mA
Output Voltage:	100...115V AC
Output Frequency:	480...520Hz
Dimensions:	L x W x H: 74 x 48 x 47 mm
Weight:	330g

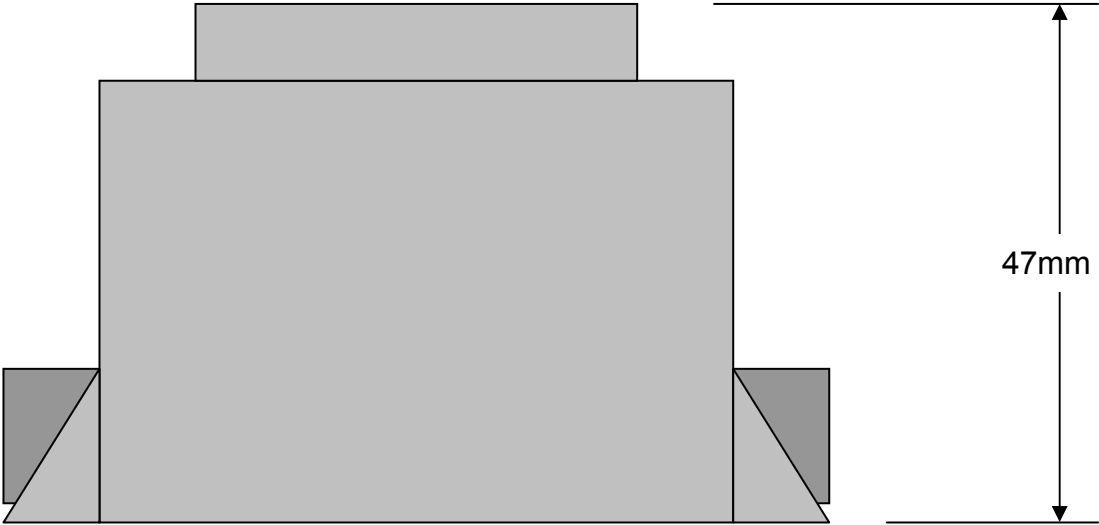
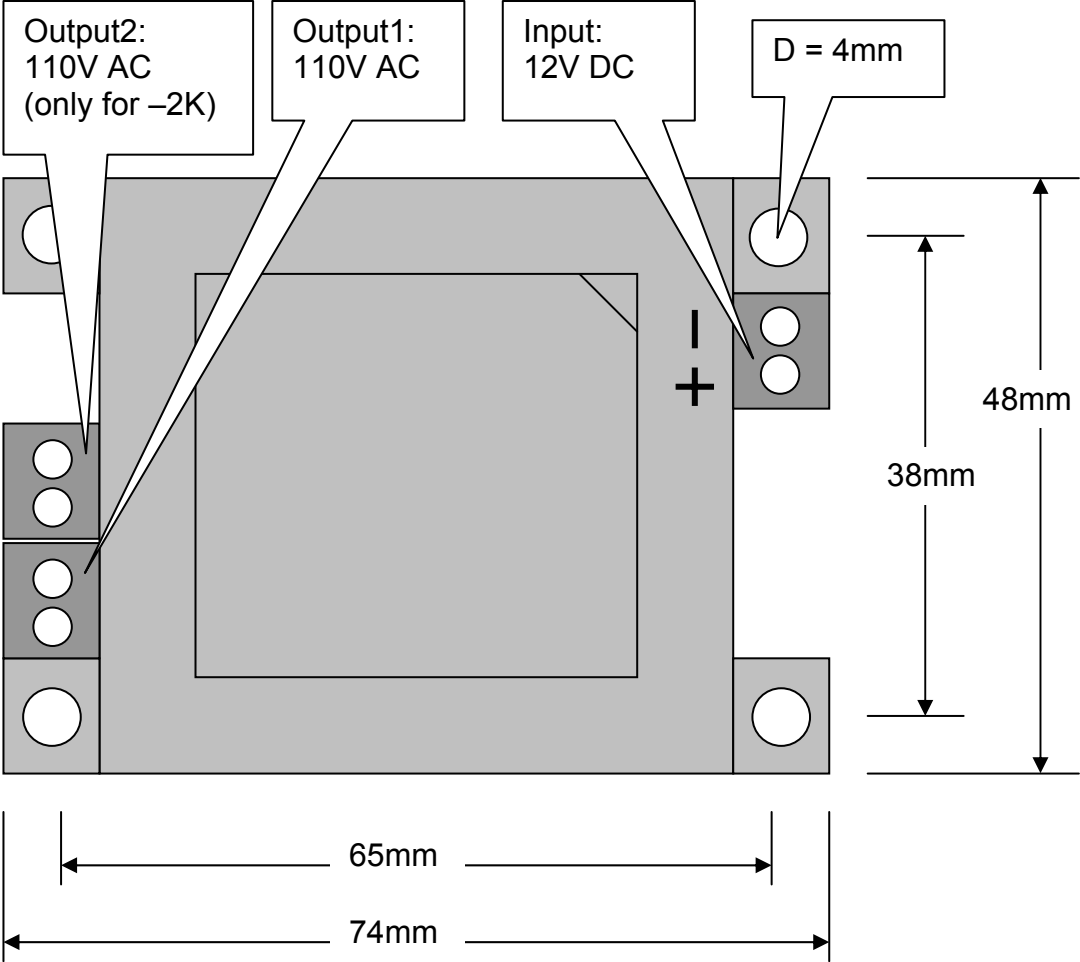
Features:

- Operation of el-lamps from size of DIN A5 up to DIN A3
- sinusoidal shape of output voltage
- galvanically isolation of input and output
- Limitation of output voltage at about 115V
- idle operating safe, current consumption about 50mA
- short cicuit protected
- Connectors : Screw-Clamps for litz-wire

Version Folinv 12/3-2K

- integrated flashing function, alternating on two channels

Dimensions :



Walpersdorferstr. 38
91126 Schwabach
Tel.: +49 (0)9122 63148-0
Fax.: +49 (0)9122 63148-29
e-mail: Info@bmr-gmbh.de
Internet: www.bmr-gmbh.de



Subject to technical alterations.
Ausgabe : 31.01.2012